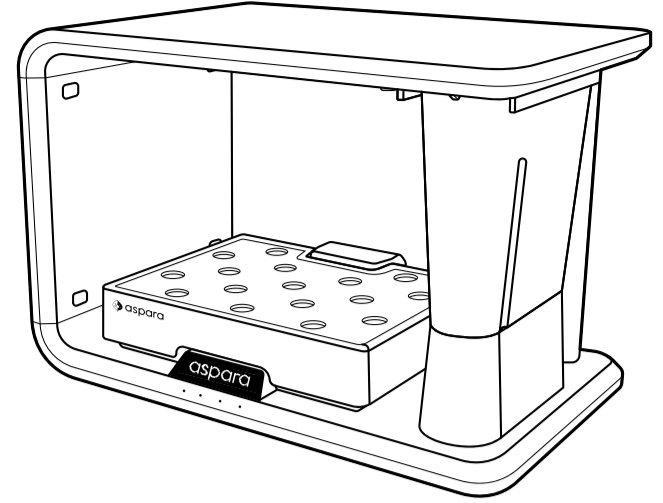


Join aspara® Club  
to enjoy member privileges



www.grow-green.com

© 2020 Growgreen Limited  
Hong Kong Science Park, N.T., Hong Kong.

Printed in China

Other trademarks or service marks referred to herein are the trademarks or service marks of their respective owners.

22072020A

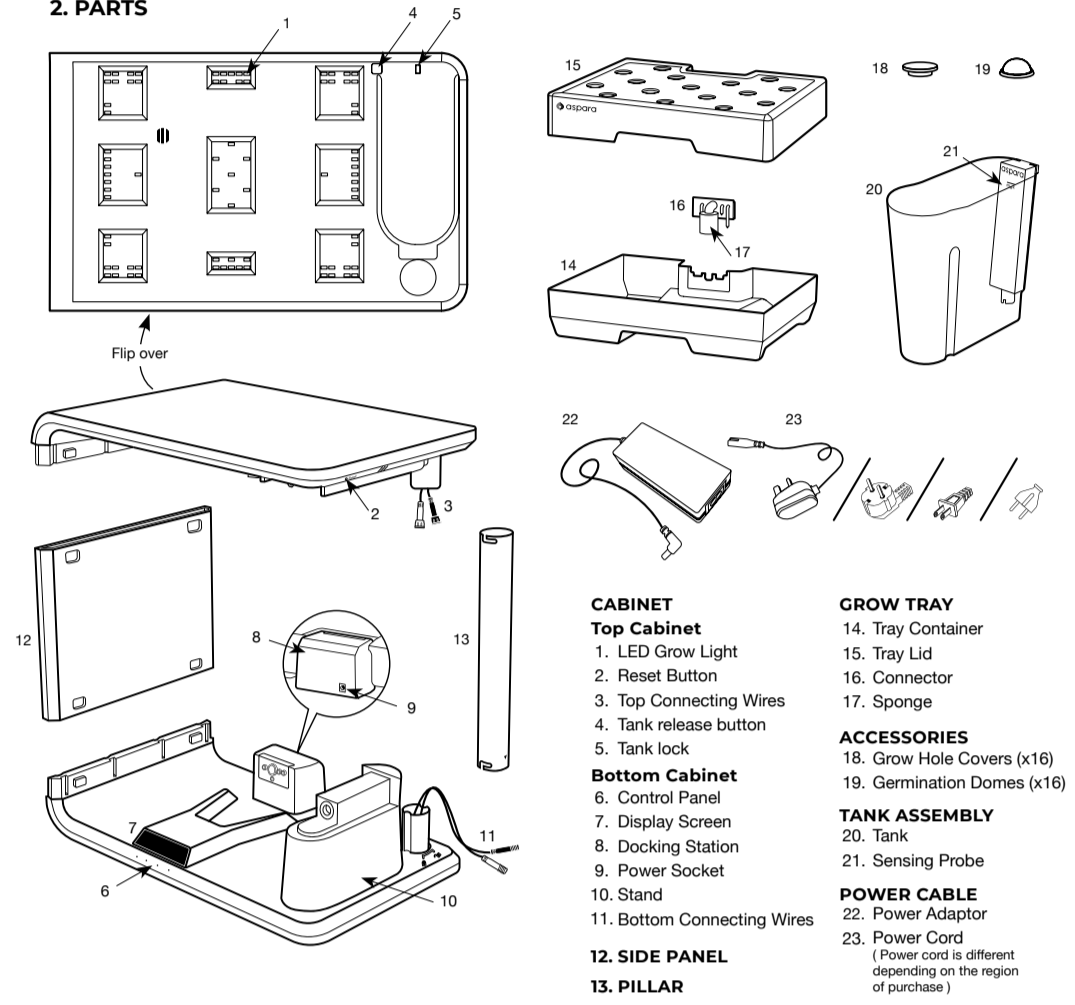
WARNING: TO REDUCE THE RISK OF FIRE OR ELECTRIC SHOCK, DO NOT REMOVE ANY OF THE APPLIANCE'S COVERS OR PANELS. THERE ARE NO USER-SERVICEABLE PARTS INSIDE! REPAIRS SHOULD BE CARRIED OUT BY AUTHORIZED SERVICE PERSONNEL ONLY.

GS1003A

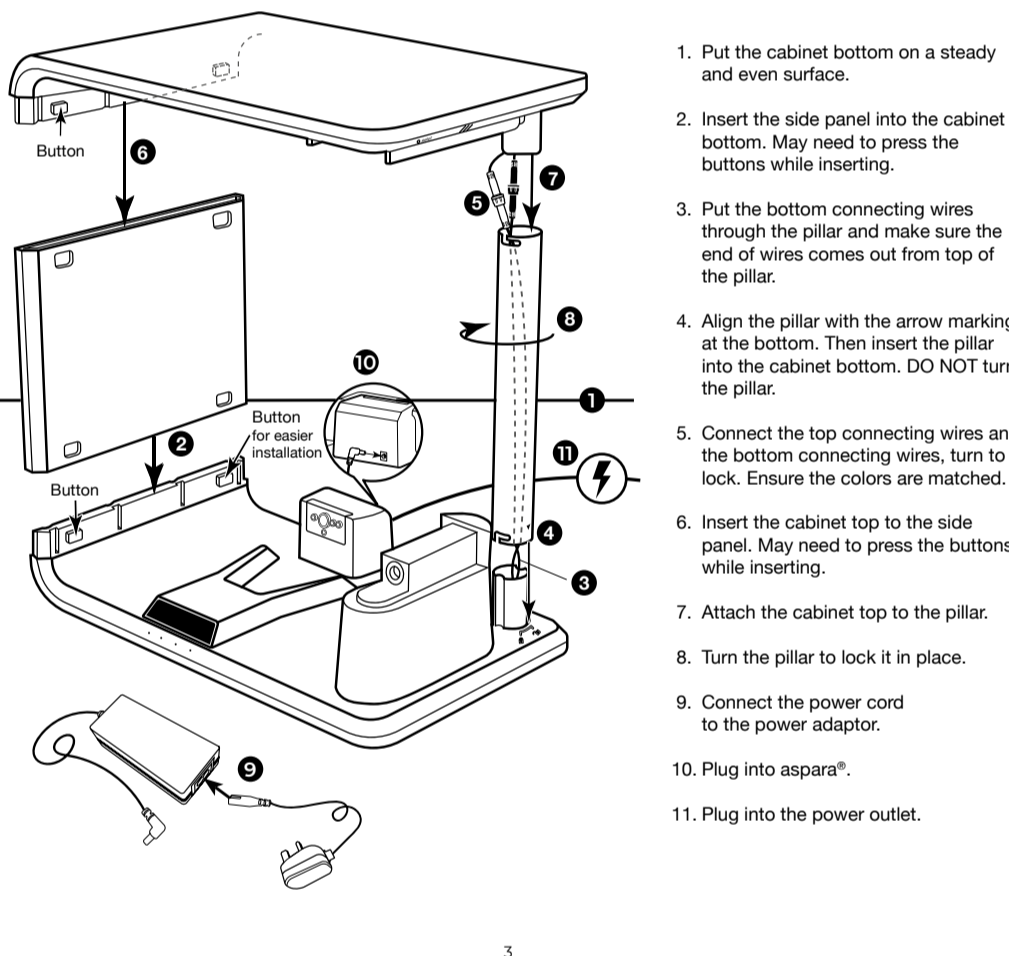
**1. IMPORTANT SAFEGUARDS**

- Read all instructions and keep this manual:
- To avoid electrical shock, fire or injury, do not place the cabinet of the appliance, the power cord, the power adaptor or the plug in water or any other liquid.
  - Do not place the appliance in a location where it may be played with or misused, such as near unsupervised young children or people with reduced physical, sensory or mental capabilities.
  - Do not use unauthorized attachments with the appliance: they may cause fire, electric shock or physical injury.
  - Do not use the appliance outdoors or for commercial use. It is designed for indoor household use only.
  - Do not place the appliance near a heat source or a naked flame.
  - Do not place the appliance on an uneven surface or near the edge of a surface where it may be knocked off.
  - Do not place anything heavy on top of the appliance or the grow tray.
  - Do not move the appliance when in operation. To move it, always unplug it and empty all water within it first. When carrying the appliance, dismantle the machine or support it from the bottom. Never carry it by the pillar or the top of the appliance.
  - Do not use the appliance if it has been dropped or damaged in any way. Always return the appliance to the nearest authorized service facility for examination and/or repair if it has malfunctioned.
  - Do not look directly at the LED grow light when it is on.
  - The LED grow light of this appliance is not replaceable; when the light reaches its end of life, the appliance should be replaced.
  - Make sure the appliance is properly assembled, with the 2 connecting wires connected and locked. All connecting wires must not be exposed.
  - The appliance is suitable for use in damp locations.
  - The appliance must only be connected to electricity after assembly.
  - Do not use the appliance if it has a damaged power cord or plug.
- During the installation, the power cord should:
- Never let the power cord dangle.
  - Not be concealed or extended through a wall, floor, ceiling, or other parts of the building structure.
  - Not be located above a suspended ceiling or dropped ceiling.
  - Not permanently be affixed to the building structure.
  - Be routed so that they are not subjected to strain and are protected from physical damage.
  - Be visible over their entire length.
  - Be used within their rated ampacity as determined for the maximum temperature of the installed environment (60°C/ 140°F).

**2. PARTS**

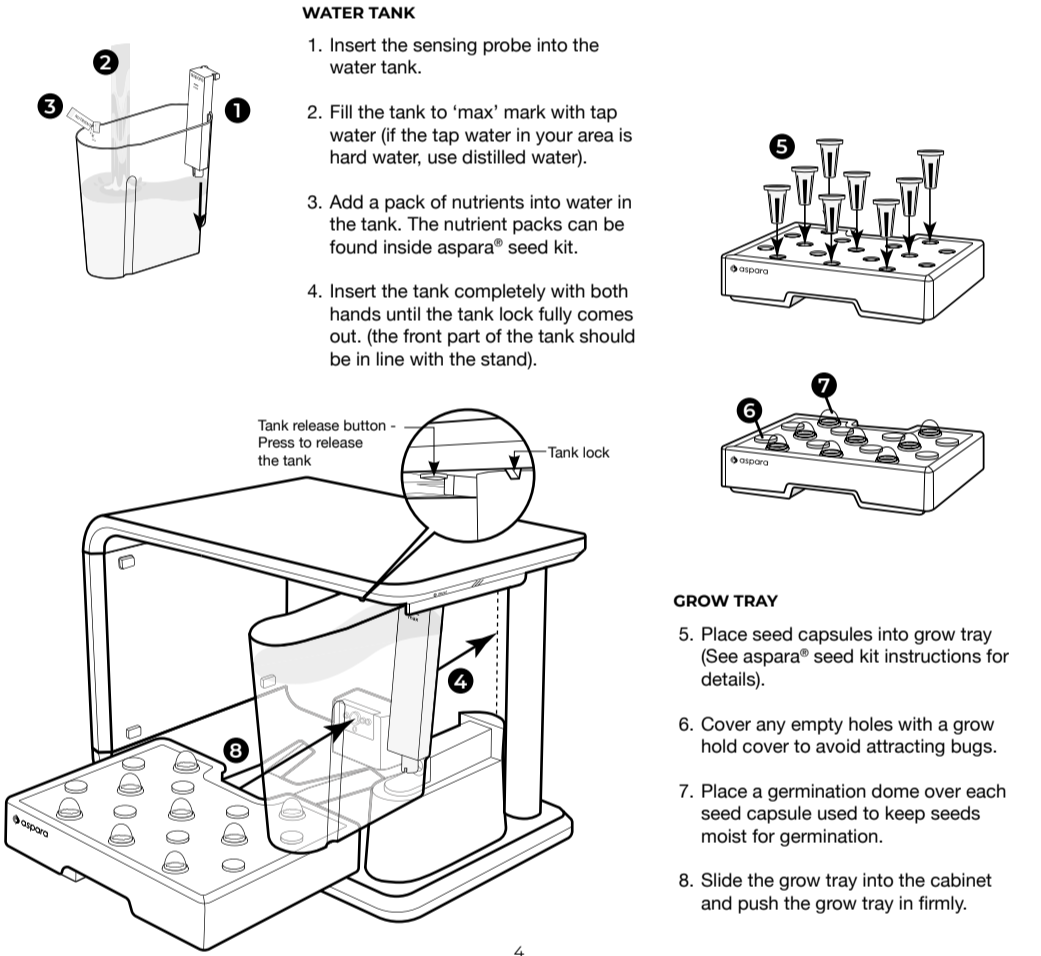


**3. ASSEMBLY PRODUCT**

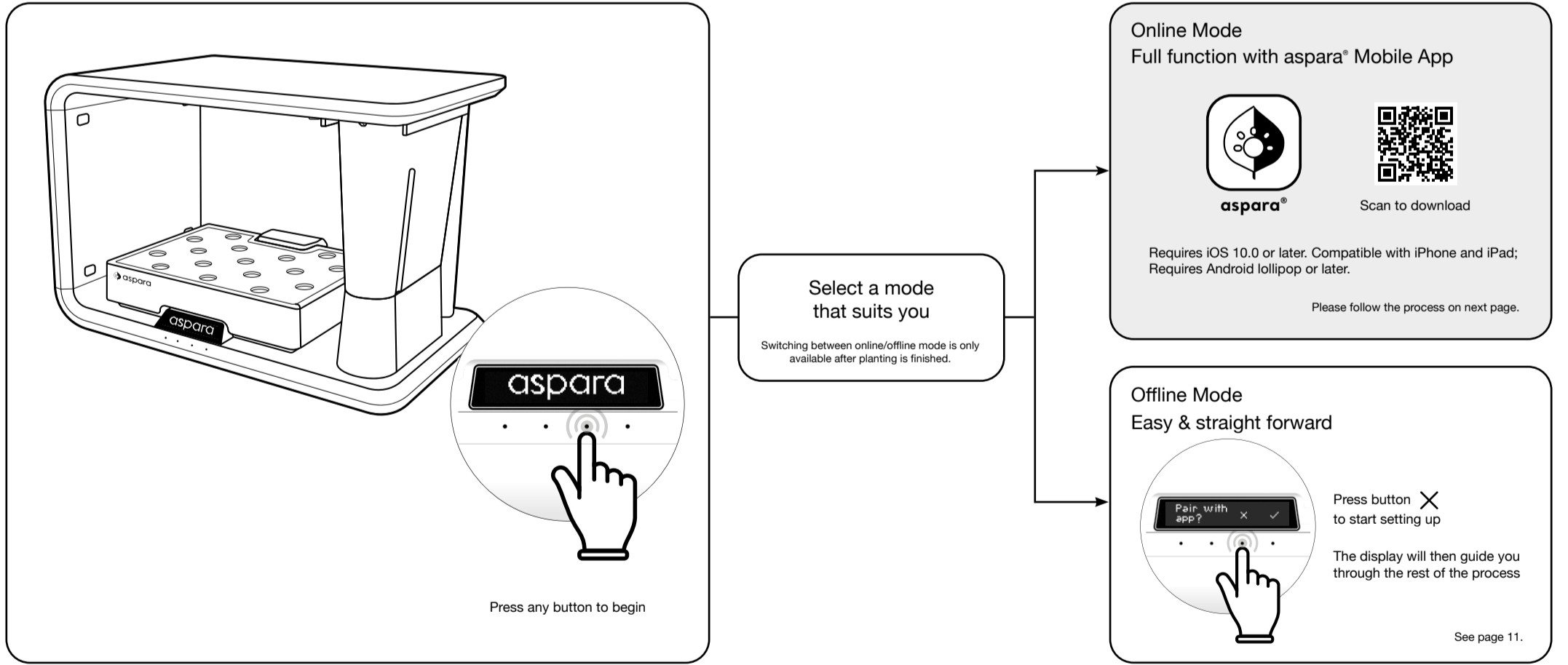


**4. HOW TO START PLANTING**

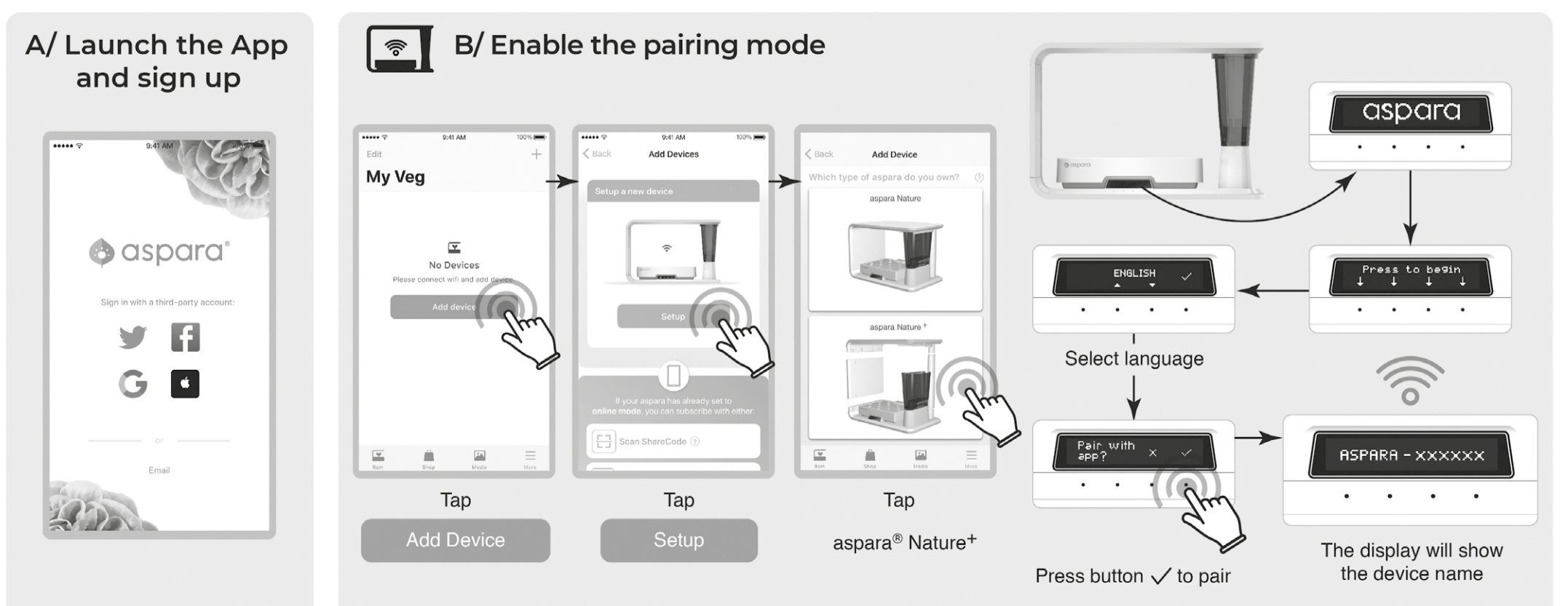
**4.1 PLANTING SETUP**



**4.2 START GROWING**



**4.2.1 ONLINE MODE**  
Bring your aspara® Nature+ online to enhance your planting experience.



### C/ Choose the same device name

\*aspara® Nature\* only compatible with 2.4 GHz WiFi networks.

If the device name doesn't show up, check:  
 1. If Bluetooth is enabled on your mobile.  
 2. If your aspara® Nature\* is turned on.

### D/ Connect aspara® to internet

Choose a network\* for connection

Enter Wifi password

Almost there...

Congratulations! Set up is done

#### 4.2.2 OFFLINE MODE : SETUP

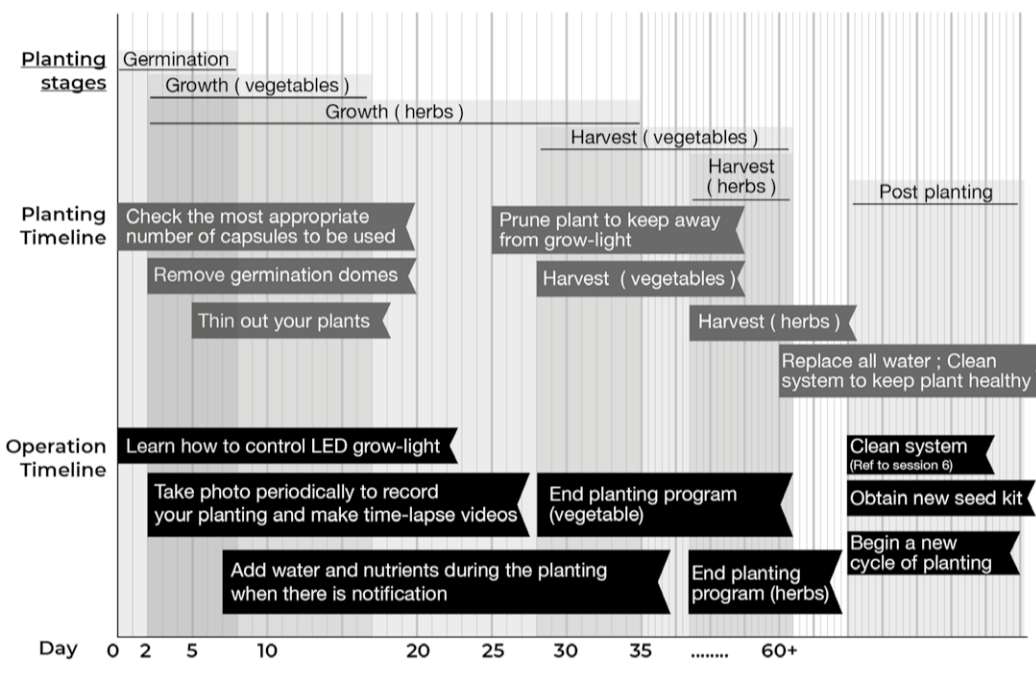
Press any button to begin.

- Select language. (Screen: ENGLISH)
- Select  to choose offline mode. (Screen: Pair with app?)
- Set the clock. (Screen: Set Clock 06 23)
- Set sunrise time. (Screen: Set Sunrise Time 06 00)
- Set temperature unit. (Screen: 10°C)
- Select  to start planting. (Screen: Start Planting?)
- Add water & nutrient. (Screen: Add water & nutrient)
- Insert growtray. (Screen: Insert Growtray)
- Planting starts. (Screen: Planting starts)
- After planting started, water should be circulating from the tank to the grow tray. (Screen: Circulating water)
- Add water again after water circulated. (Screen: Add more water)

#### 4.2.3 OFFLINE MENU: DURING PLANTING

- Light Modes**  
 In the default setting, the Light is set to Auto to simulate the best sunshine for your plant. You can always adjust to different lighting when needed. However, the setting will be reset at next sunrise.  
 Icons: Auto, Dim, White light, Off
- Planting Stages**  
 The planting stage (germination/growth) will change according to the planting program (ranging from 3-7 days). You can also manually select the planting stage if you like.  
 There are 3 stages:  
 Icons: Germination, Growth, Harvest  
 Select this when you want to finish planting.
- Planting Programs**  
 Select the Program that indicated on the seed kit packaging.  
 Icons: A, B, C
- Setting**  
 You can set language, time, sunrise time, temperature unit and edit planted day. After the sunrise time, the light will be on more than 12 hours (depending on planting program). Adjust it to suit your lifestyle.

#### 5. PLANTING TIPS



#### 6. CLEANING AND SANITIZING

The appliance should be cleaned by hands and aspara® self-cleaning function between each growing session or if it has not been used for a while. Make sure it has been finished planting before cleaning.

##### 6.1 CLEANING BY HANDS AND SELF-CLEANING FUNCTION

Parts that should be thrown away

Parts AVOID touching water, can only clean by wiping with a damp cloth

Parts come in contact with plants that can be washed with water

- Do not use water hotter than 40°C/ 105°F. Do not use bleach or harsh cleaners.
- Unless you are going to use the appliance immediately, dry all the parts with a soft clean towel. It is particularly important to dry the metal contacts on both the sensing probe and the connector.
- DO NOT wash the grow tray, tank or any other parts in the dishwasher as they may become deformed

• Make sure the cabinet is disconnect from the electricity supply.  
 • Do not clean the power plug nor allow water to enter the cabinet.  
 • NEVER immerse the cabinet in water (or any other liquid) or wash it using free-running water.

Clean the pipes inside with aspara® self-cleaning function

- Pour away all water in system.
  - Insert the grow tray.
  - Fill the tank with water to the 'max mark'. Insert the tank with both hands until the tank lock fully comes out.
  - Select 'Clean' function on control panel...
- 
- Once finished, empty both the tank and the grow tray.

#### 6.2 SANITIZING

We suggest you sanitize the appliance once a year and whenever you feel the water is not circulating freely or your plants are in bad health.

Following the cleaning instructions in section 6.1 Clean the pipes inside with aspara® self-cleaning function, add cleaner (appropriate amount of citric acid cleaner or 1 cup of white vinegar) together with water in step 3. Then, repeat cleaning with aspara® self-cleaning function to rinse.

#### 7. FIRMWARE UPDATES

We occasionally release free feature enhancements and product improvements through firmware updates.

**Online mode**  
 When you see the 'Firmware update' button in the aspara® app, click to update.

**Offline mode**  
 Firmware update is only available in online mode. We suggest you keep your aspara® online to ensure you can install the latest firmware updates. To switch from offline to online mode, finish planting and follow Section 4.2. You can shift the machine back from offline to online by using the reset button.

If you have placed the appliance somewhere without Wi-Fi coverage or your Wi-Fi has no internet connection, you may choose to use a smartphone to provide a hotspot for your aspara® to connect to. You will then need another smartphone to link your appliance online by following Section 4.2. If you have no Wi-Fi, internet connection or hotspot, you can seek help from an authorized aspara® service center for assistance.

#### 8. WARRANTIES

##### 8.1 aspara® NATURE+ Limited One-Year Warranty

This warranty is available to consumers who purchased aspara® Nature+ (from now on called the 'appliance') at retail for personal, family or household use. Except as otherwise required under applicable law, this warranty is not available to retailers or other commercial purchasers or owners. For commercial purchase, please inquire our selected distributors for warranty details.

We warrant that your appliance will be free of defects in materials and workmanship under normal home use for a period of 1 year from the date of original purchase. Please keep your original proof of purchase in order to obtain the warranty benefits.

If you have an enquiry regarding your appliance, read this manual or our website ([www.aspara.hk/support](http://www.aspara.hk/support)). You can also seek consumer support by email or direct call to your local authorized aspara® service center. Please refer to [www.aspara.hk/support](http://www.aspara.hk/support) for the update contact on your authorized aspara® service center. You can also email us at [info@aspara.hk](mailto:info@aspara.hk). If our consumer service suggests that your appliance may be malfunctioning and your appliance is within the warranty period, please send or bring it, together with your proof of purchase, to an authorized aspara® service center. To find your nearest center, visit [www.aspara.hk](http://www.aspara.hk) (or the website specific to your country/region).

Your appliance has been manufactured for use specifically within the region of your purchase and with authorized accessories and replacement parts only. This warranty expressly excludes any defects or damages caused by using the appliance not in the region of your purchase, attempted use of your appliance with a converter, as well as use with accessories, replacement parts, repair service or alternations other than those authorized by Growgreen Ltd. This warranty does not cover any damage caused by accident, misuse, shipment or uses not adhering to

this user guide. This warranty excludes all incidental or consequential damages.

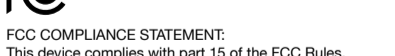
##### 8.2 aspara® SEED KIT

Please refer to aspara® seed kit instructions for seed kit warranty on germination guarantee.

#### 9. REGULATORY NOTICES

##### 9.1 FCC COMPLIANCE STATEMENT

North America  
 United States: Federal Communications Commission (FCC)



FCC COMPLIANCE STATEMENT:  
 This device complies with part 15 of the FCC Rules. Operation is subject to the following two conditions:  
 (1) This device may not cause harmful interference, and  
 (2) this device must accept any interference received, including interference that may cause undesired operation.

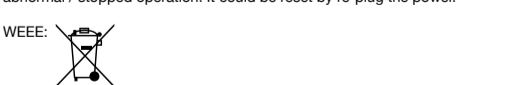
INFORMATION TO USER: This appliance has been tested and found to comply with the limits for a Class B digital device, pursuant to Part 15 of FCC Rules. These limits are designed to provide reasonable protection against harmful interference in a residential installation. This appliance generates, uses, and can radiate radio frequency energy. If not installed and used in accordance with the instructions, it may cause harmful interference to radio communications. However, there is no guarantee that interference will not occur in a particular installation. If this appliance does cause harmful interference to radio or television reception, which can be determined by turning the appliance off and on, the user is encouraged to try and correct the interference by one or more of the following measures:

- Reorient or relocate the receiving antenna. This can be done by moving the appliance to a different location.
- Increase the distance between the appliance and the receiver.
- Connect the appliance to outlet on a circuit different from that to which the receiver is connected.
- Consult the dealer or an experienced radio/TV technician for help.

WARNING: The changes or modifications not expressly approved by the party responsible for compliance could void the user's authority to operate the appliance.  
 FCC RF Radiation Exposure Statement  
 Caution: To maintain compliance with the FCC's RF exposure guidelines, place the unit at least 20cm from nearby persons.

##### 9.2 DIRECTIVE 2012/19/EU

European Union  
 European Union: CE directive



Under the environment with Surge and Injected Current, the sample was in abnormal / stopped operation. It could be reset by re-plug the power.

WEEE:

STATEMENT: Hereby, Growgreen Limited, declares that aspara® Nature+ (from now on called the 'appliance') is in compliance with the essential requirements and other relevant provisions of Directive 2012/19/EU. The symbol on the appliance or its packaging signifies that this appliance has to be disposed separately from ordinary household wastes at its end of life. Please kindly be aware that this is your responsibility to dispose electronic equipment at recycling centers so as to help conserve natural resources. Each country in the European Union should have its collection centers for electrical and electronic equipment recycling.

For information about your recycling drop off point, please contact your local related electrical and electronic equipment waste management authority or the retailer where you bought the appliance

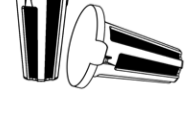
- Do not dispose of the appliance with household waste.
- Disposal of the packaging and the appliance should be done in accordance with local regulations.

VISIT [www.grow-green.com/support](http://www.grow-green.com/support)

Download aspara® Mobile Apps from App Store (for iOS) or Google play (for Android)



Get aspara® seed kit from [www.grow-green.com/shop](http://www.grow-green.com/shop) or [aspara® app shop](http://www.grow-green.com/shop)



Email to [cs@grow-green.com](mailto:cs@grow-green.com)